

Basic Bucket Hat (teens +) pattern on table

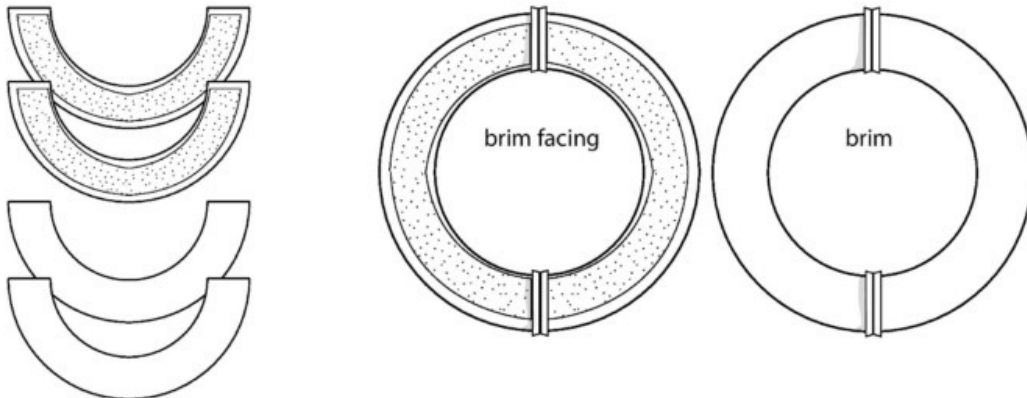


Bucket Hat Sewing Instructions

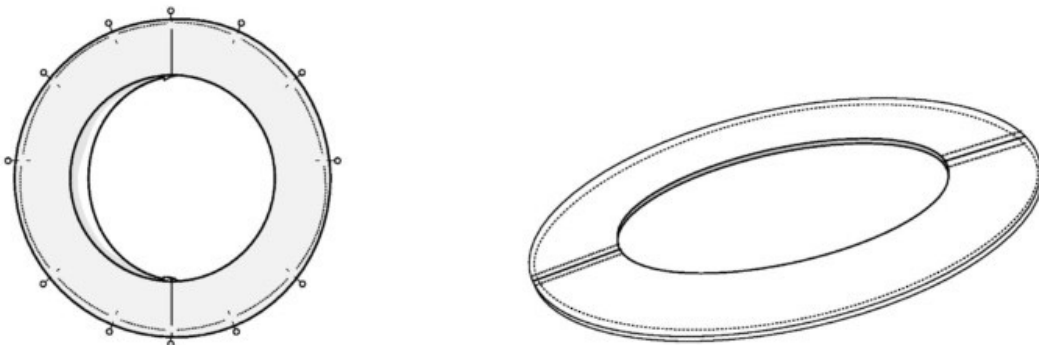
Crown cut 1 of fabric
Side panel cut 2 of fabric
Brim cut 4 of fabric and 2 of fusible interfacing



Step 1: Press fusible onto two of the four brim panels. With right sides together, pin the first pair of brim panels at the sides and stitch. Do the same for the remaining panels. Press the seams open and topstitch seam allowance in place.



Step 2: Now with right sides together, pin the brim and brim facing around the entire outside edge and stitch. Turn brim right side out and press. Topstitch around the edge.



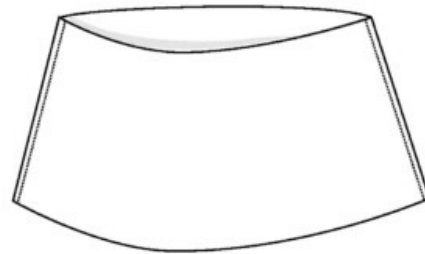


Bucket Hat Sewing Instructions

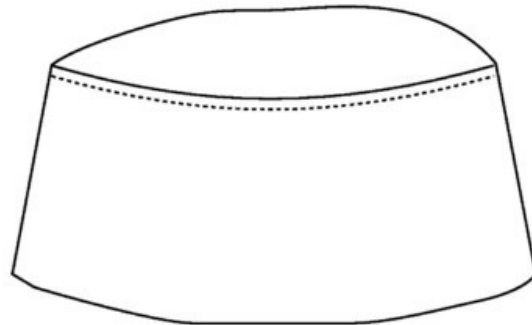
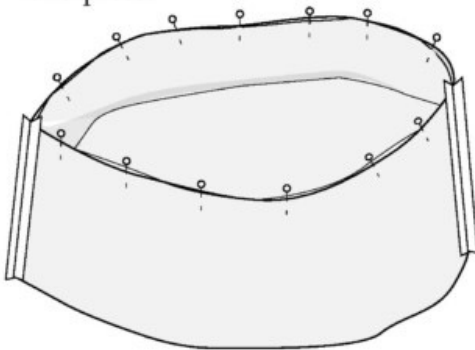
Crown cut 1 of fabric
Side panel cut 2 of fabric
Brim cut 4 of fabric and 2 of fusible interfacing



Step 3: With right sides together, pin both side panels together and sew along the side seams. Turn and press the side panel.



Step 4: Now with right sides together, pin the cap and side panel together at the top opening. Stitch all the way around closing the top of the hat. Turn right side out and press.



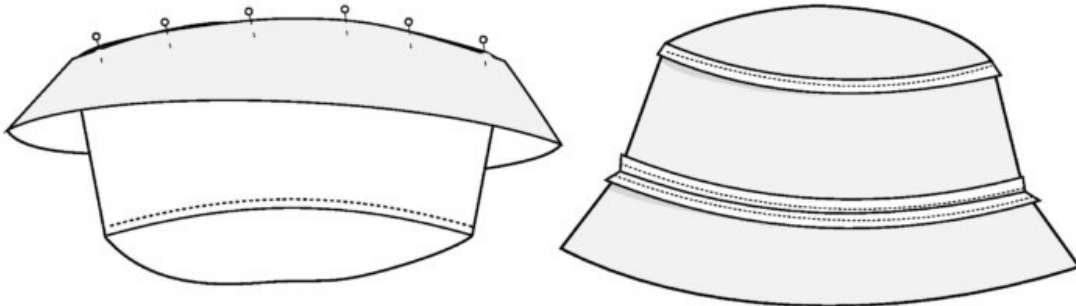


Bucket Hat Sewing Instructions

Crown cut 1 of fabric
Side panel cut 2 of fabric
Brim cut 4 of fabric and 2 of fusible interfacing



Step 5: With right sides together, pin the brim to the bottom opening of the hat and stitch all the way around. Press seam allowances open and topstitch in place.



Step 6: Turn your hat right side out and press. Complete with a few rows of evenly spaced topstitching across the width of your brim to finish your hat. You can add optional grommets to the back for ventilation.

